
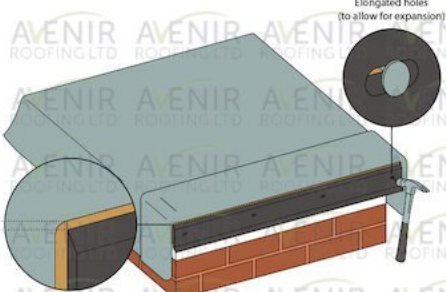

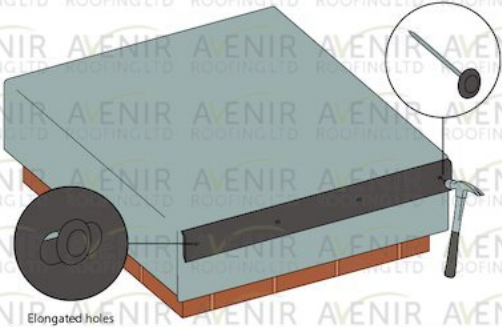
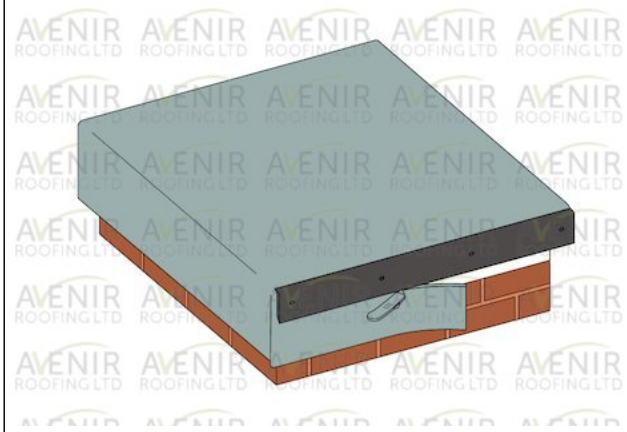


# Gutter Trim

A guide to installing gutter trims to a Lineflex Fleece Backed EPDM flat roof.

	<p><b>Step 1</b> Install a 2" x 1" batten to the roof perimeter, level with roof deck.</p>
	<p><b>Step 2</b> Install the base plate as shown, 5mm below the deck using plain nails.</p>
	<p><b>Step 3</b> Adhere membrane and dress over the base plate.</p>
	<p><b>Step 4</b> Pull rubber taut and install top plate as shown, secured with polynails. Please allow a 5mm gap between trims for expansion and contraction.</p>



**Step 5**

Trim any excess rubber with a sharp blade.